



TEC 2602 (ver:AMOSTEC2602SM20140309)

Slide Dryer

Service Manual

AMOS SCIENTIFIC PTY.LTD. ABN37 159 778 140

www.amos-scientific.com



TEC 2602 Slide Drier

Service Manual

1、 **General Provisions**

The Service Manual of the instrument is compiled according to its structure and characteristic.

2、 **Configuration**

Power supply of the instrument is AC110V/220V.

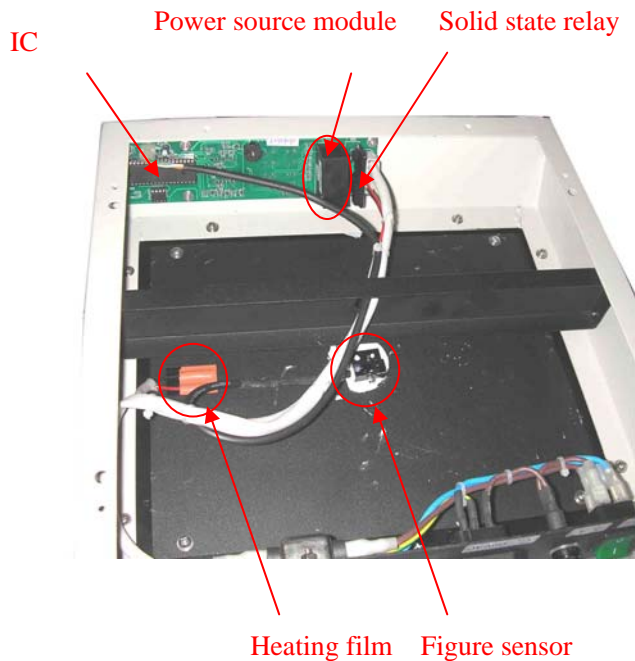
Slide Drier can heat up and control temperature.

3、 **Troubleshooting**

A、 The screen has no display when the machine turns on.

1): The instrument is not plugged in or the fuse is blow out, please connect the power supply again or replace the fuse.

2): power module is damaged



Maintenance: Use Philip screwdriver to loosen the six screw in the base-plate, and take down the base-plate, and there will be a power source module on the main board in the instrument as it shows on the picture. And take down the power source module from the main board by hand, if it is difficult to take down the power source module with hand, you can use the flat apparatus as flat tip

screwdriver to take down the power source module by inserting the flat apparatus in the slot and tipping it up slightly and then take it down and replace a new power source module.

B、 It shows incorrect temperature (offset the set temperature)

1): Digital sensor is broken

Maintain : use the screwdriver to loosen the screw, and you will see the digital sensor as it showed in the picture. Loosen the screw in the sensor and then replace the sensor.

2): IC is broken

Maintain: use the screwdriver to loosen the screw, and you will see the IC as it showed in the picture. you can use the flat apparatus as flat tip screw driver to take down the IC by inserting the flat apparatus in the slot and tipping it up slightly and then take it down and replace a new one.

C、 There is continuous ring in buzzer(the interval is 10 seconds)

It means that the digital sensor is broken, and need to replace the digital sensor.

D、 the instrument is not heating after power on .

1): heating film is damaged

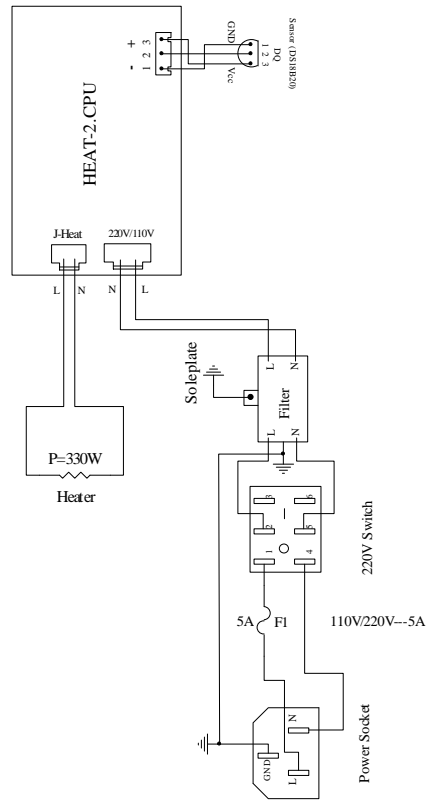
Maintain : use the Philip screwdriver to loosen the six screws in the base-board, take down the base-board and you will see the heating film as it showed in the picture. And then loosen the four screws on it to replace the heating film.

2): Solid state relay is broken

Maintain: use the Philip screwdriver to loosen the six screws in the base-board, take down the base-board and you will see the solid state relay as it showed in the picture. Take down the damaged SSR and replace a new SSR.

4、

Wiring Diagram



Published by:



AMOS SCIENTIFIC PTY.LTD

37/632 CLAYTON ROAD , CLAYTON SOUTH VIC 3169 , AUSTRALIA

Tel: +61-3-95518850 Fax: +61-3-95516885

ABN 37 159 778 140

www.amos-scientific.com