



**AWB210** (AMOSAWB210SM20140309)

**Water Bath**

**Service Manual**

AMOS SCIENTIFIC PTY.LTD. ABN37 159 778 140

[www.amos-scientific.com](http://www.amos-scientific.com)



# AWB 210 Water Bath

## Service Manual

### 1: General Provisions

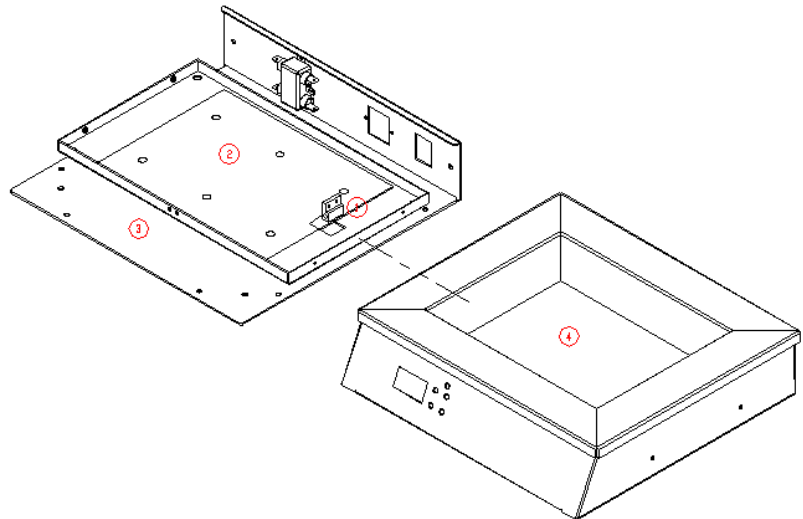
The Service Manual of the instrument is compiled according to its structure and characteristic.

### 2: Configuration

The instrument provides the design of AC110V/ 220V, water tub heating and temperature controlling system.

### 3: Exploded View

- ① Sensor
- ② Heater
- ③ Base- plate
- ④ Water though



### 4: Troubleshooting

A、The screen has no display when the machine turns on.

1): The power supply is not connected well or the fuse is blow out, please connect the power supply again or replace the fuse.

2): power module is damaged

**Maintenance:** Loosens the six screw in the base-plate with philip screwdriver, and take down the base-plate, and there will be a power source module on the main board in the instrument as it shows on the picture. And

take down the power source module from the main board by hand, if it is difficult to take down the power source module with hand, you can use the flat apparatus as slotted screwdriver to take down the power source module by inserting the flat apparatus in the slot and tipping it up slightly, and then take it down and replace a new power source module.

**B、 It shows incorrect temperature (offset the set temperature)**

1): Digital sensor is broken

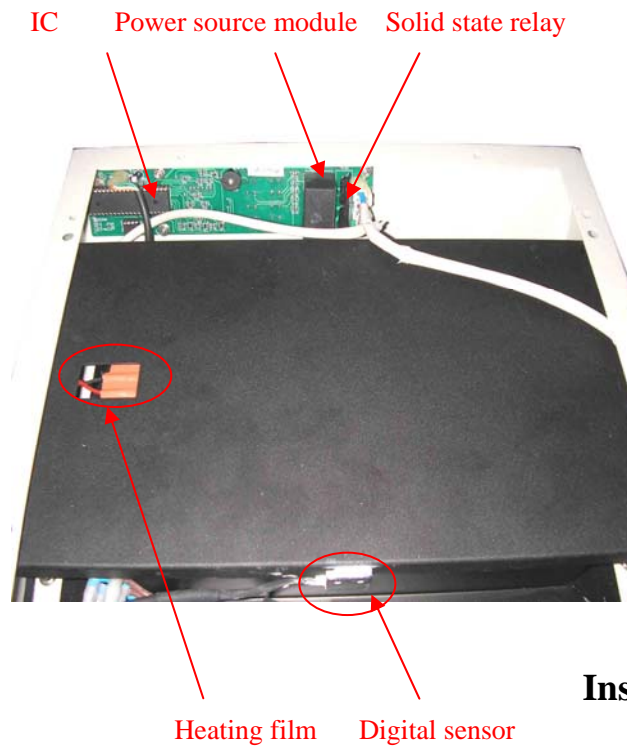
Maintenance : Loosens the screw with the screwdriver, and you will see the digital sensor as it showed in the picture, and then Loosens the screw in the sensor to replace the sensor.

2): IC is broken

Maintenance: Loosens the screw with the screwdriver, and you will see the IC as it showed in the picture. you can use the flat apparatus as slotted screwdriver to take down the IC by inserting the flat apparatus in the slot and tipping it up slightly and then take it down to replace a new one.

**C、 There is continuous ring in buzzer(the interval is 10 seconds)**

It means that the digital sensor is broken, and need to replace.



**Inside Schematic diagram**

D、The machine is unable to heating after power on .

1): heating film is damaged

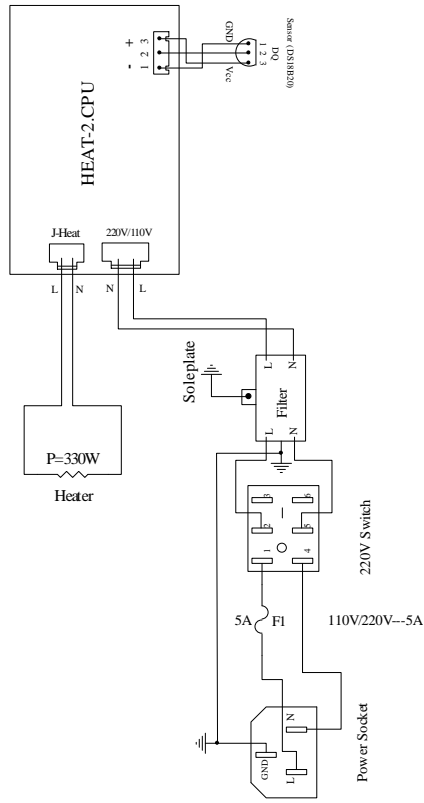
Maintenance : Loosen the six screws in the base-board with the philip screwdriver, take down the base-board and you will see the heating film as it showed in the picture. And then loosen the four screws on it to replace the heating film.

2): Solid state relay is broken

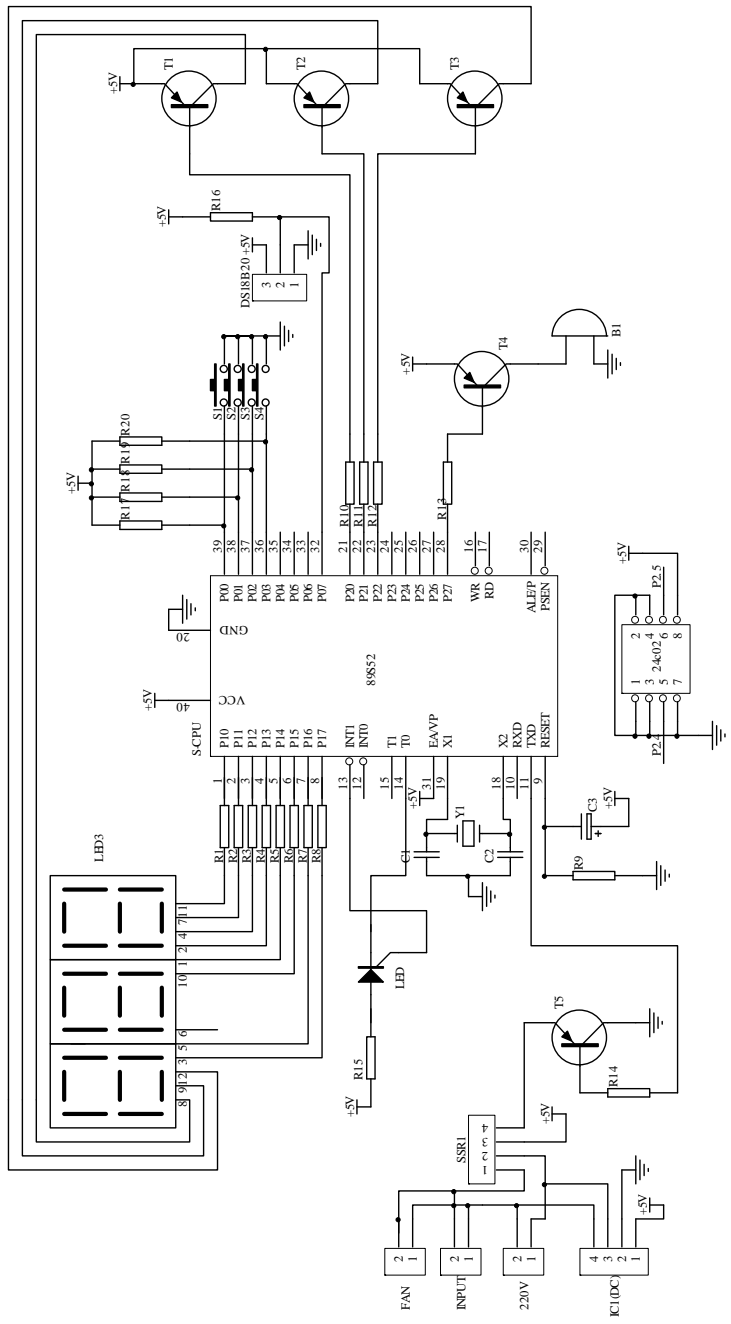
Maintenance: Loosen the six screws in the base-board with the philip screwdriver, take down the base-board and you will see the solid state relay as it showed in the picture. Take down the damaged SSR to replace a new one.

5:

Wiring Diagram



# 6: Schematic Diagram



Published by:



## **AMOS SCIENTIFIC PTY.LTD**

37/632 CLAYTON ROAD , CLAYTON SOUTH VIC 3169 , AUSTRALIA

Tel: +61-3-95518850 Fax: +61-3-95516885

ABN 37 159 778 140

[www.amos-scientific.com](http://www.amos-scientific.com)